

## F-Series Plus Power Direct Vent gas water heaters are a perfect choice for tight construction and indoor air quality

### EFFICIENCY

- .65 UEF

### PERFORMANCE

- FHR: 111 gallons
- Recovery: 65.7 GPH at a 90° F rise

### SELF-DIAGNOSTIC SYSTEM

- Electronic gas control for improved monitoring and service



### LOW EMISSIONS

- Eco-friendly burner, low NOx design

### FEATURES

- Two pipe system: one pipe pulls in outside air for combustion and the other exhausts combustion gases
- 120 VAC powered blower
- New whisper quiet blower

### FLAMMABLE VAPOR DETECTION SYSTEM

- Protective control system that disables the heater in the presence of flammable vapor accumulation

### FLEXIBLE VENTING OPTIONS

- Long venting lengths up to 100 feet
- PVC, ABS, or CPVC vent and air inlet options
- Vertical or horizontal vent and air inlet system configurations
- 3" and 4" Concentric vent kits available

### LONGER LIFE

- Premium grade anode rod provides long-lasting tank protection

### HIGH ALTITUDE COMPLIANT

- Models are certified for applications up to 10,100 feet above sea level

### PLUS...

- Enhanced flow brass drain valve
- Temperature and pressure relief valve included
- Low lead compliant
- Durable silicon nitride igniter (HSI)
- Side taps for space heating
- EverKleen® patented system fights sediment build-up
- Standard replacement parts

### WARRANTY

- 8-Year limited tank and parts warranty\*
- With ProtectionPlus™ the 8-year limited tank warranty becomes 12-year

\*See Residential Warranty Certificate for complete information

Units meet or exceed ANSI requirements and have been tested according to D.O.E. procedures. Units meet or exceed the energy efficiency requirements of NAECA, ASHRAE standard 90, ICC Code and all state energy efficiency performance criteria.

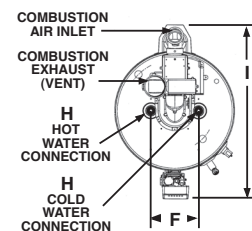
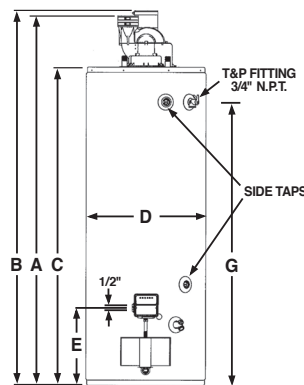


**F-Series Plus Power Direct Vent**  
50-Gallon Capacities  
65,000 BTU/h  
Natural Gas



LEED Point = 1

See venting information on back.



DESCRIPTION				FEATURES						ROUGHING IN DIMENSIONS (SHOWN IN INCHES)										ENERGY INFO.
TYPE	NOMINAL GALLON CAP.	RATED GALLON CAP.	MODEL NUMBER	GAS INPUT IN THOUS. BTU/H		RECOVERY IN G.P.H. 90° F RISE		FIRST HOUR RATING (GALLONS)		HEIGHT TO TOP OF VENT A	HEIGHT TO TOP OF AIR INLET B	TANK HEIGHT C	DIAM. D	HT. TO GAS CONN. E	WATER CONN. CNTR. F	HT. TO SIDE T&P VALVE G	WATER CONN. SIZE H	FRONT TO BACK I	SHIP WT. (LBS)	UNIFORM ENERGY FACTOR (UEF)
				NAT.	LP	NAT.	LP	NAT.	LP											
Tall	50	48	8PROG 50-65N FD62 PDV	65	-	65.7	-	111	-	67-5/8	68-3/8	59-3/8	21-3/4	14	8	52-3/4	3/4	31-1/2	210	0.65

Uniform Energy Factor and rated gallon capacity based on Department of Energy (DOE) requirements.

## Vent and Combustion Air Inlet System

MODEL NUMBER	VENT & COMBUSTION AIR-INLET SYSTEM DIAMETER	MIN. ALLOWED EQUIVALENT VENT & COMBUSTION AIR-INLET SYSTEM LENGTHS (EACH PIPE RUN)		MAX. ALLOWED EQUIVALENT VENT & COMBUSTION AIR-INLET SYSTEM LENGTHS (EACH PIPE RUN)		VENT AND COMBUSTION AIR-INLET SYSTEM TERMINATION(S)	
	INCHES	FEET	METERS	FEET	METERS		
<b>FROM SEA LEVEL TO 2,000 FT. (609 M) ABOVE SEA LEVEL</b>							
8PROG 50-65N FD62 PDV	3	7	2.1	50	15.2	90° Elbows	-
	3	7	2.1	40	12.2	-	Concentric*
	3	7	2.1	40	12.2	-	Concentric**
	4	7	2.1	100	30.5	90° Elbows	-
	4	7	2.1	90	27.4	-	Concentric*
	4	7	2.1	90	27.4	-	Concentric**
<b>FROM 2,000 FT. (609 M) THROUGH 5,400 FT. (1,646 M) ABOVE SEA LEVEL</b>							
8PROG 50-65N FD62 PDV	3	7	2.1	50	15.2	90° Elbows	-
	3	7	2.1	40	12.2	-	Concentric*
	3	7	2.1	40	12.2	-	Concentric**
	4	7	2.1	100	30.5	90° Elbows	-
	4	7	2.1	90	27.4	-	Concentric*
	4	7	2.1	90	27.4	-	Concentric**
<b>FROM 6,000 FT. (1,829 M) ABOVE SEA LEVEL THROUGH 7,800 FT. (2,377 M) ABOVE SEA LEVEL</b>							
8PROG 50-65N FD62 PDV	3	7	2.1	50	15.2	90° Elbows	-
	3	7	2.1	40	12.2	-	Concentric*
	3	7	2.1	40	12.2	-	Concentric**
	4	7	2.1	100	30.5	90° Elbows	-
	4	7	2.1	90	27.4	-	Concentric*
	4	7	2.1	90	27.4	-	Concentric**
<b>FROM 7,701 FT. (2,347 M) ABOVE SEA LEVEL THROUGH 10,100 FT. (3,078 M) ABOVE SEA LEVEL</b>							
8PROG 50-65N FD62 PDV	3	7	2.1	25	7.6	90° Elbows	-
	3	7	2.1	20	6.1	-	Concentric*
	3	7	2.1	20	6.1	-	Concentric**
	4	7	2.1	50	15.2	90° Elbows	-
	4	7	2.1	45	13.7	-	Concentric*
	4	7	2.1	45	13.7	-	Concentric**

One 90° elbow is approximately equivalent to 5 feet of pipe. One 45° elbow is approximately equivalent to 2.5 feet of pipe.

\*Use only Friedrich 3 in. (7.6 cm) concentric termination kit number SP20245.

\*\*Use only Friedrich 4 in. (10.2 cm) concentric termination kit number SP20919.

*In keeping with its policy of continuous progress and product improvement, Friedrich reserves the right to make changes without notice.*

Friedrich Water Heating • 1115 Northmeadow Parkway, Suite 100  
Roswell, Georgia 30076 • [www.friedrich.com](http://www.friedrich.com)