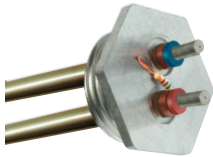


F-Series electric short (lowboy) with side water connections water heaters are engineered for longer life – resistored heating elements and premium grade anode rod

EFFICIENCY

- .92 - .94 UEF
- Isolated tank design reduces conductive heat loss
- Resistored stainless steel upper and lower heating elements to prolong anode rod and tank life



- 240V models with 3,500W elements also available: 28-gallon model 6PROE28 S2 FD93 SB & 38-gallon model 6PROE38 S2 FD93 SB-LO

PERFORMANCE

- FHR: 38 - 59 gallons, based on gallon capacity and element wattage
- Recovery: Up to 28 GPH at a 90° F rise, depending on model†

LONGER LIFE

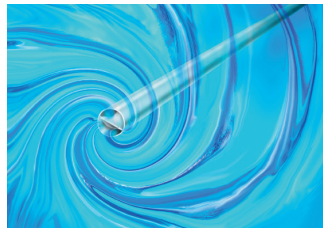
- Premium grade anode rod provides long-lasting tank protection

FEATURES

- Electric junction box located above heating elements for easy installation
- Over-temperature protector cuts off power in excess temperature situations
- Automatic thermostat keeps water at desired temperature
- Side water connections convenient for vertically constrained spaces

PLUS...

- Exclusive porcelain tank lining resists corrosion and prolongs tank life
- EverKleen® helix diffuser reduces sediment improving tank life and efficiency



- Enhanced-flow brass drain valve
- Temperature and pressure relief valve installed on the side. Optional to have T&P valve on the top
- Models are compliant to HUD Standards for manufactured housing and modular construction
- Low lead compliant

WARRANTY

- 6-Year limited tank and parts warranty*

*See Residential Warranty Certificate for complete information

Units meet or exceed ANSI requirements and have been tested according to the AHRI Operations Manual and D.O.E. procedures. Units meet or exceed the energy efficiency requirements of NAECA, ASHRAE standard 90, ICC Code and all state energy efficiency performance criteria.



F-Series Electric with Side Water Connections

28 and 38-Gallon Capacities
240 Volt AC/Single Phase
Double Element, Blanketed Models
Electric



See specifications chart on back.

F-Series Short with Side Water Connections Specifications

TYPE	DESCRIPTION			FEATURES			ROUGHING IN DIMENSIONS (SHOWN IN INCHES)						ENERGY INFO.
	NOMINAL GALLON CAPACITY	RATED GALLON CAPACITY	MODEL NUMBER	WATTAGE OPTIOINS	FIRST HOUR RATING (GALLONS)	RECOVERY IN G.P.H. 90° F RISE	TANK HEIGHT A	HEIGHT TO INLET B	HEIGHT TO OUTLET C	HEIGHT TO RELIEF VALVE D	DIAMETER	APPROX. SHIP WT. (LBS.)	UNIFORM ENERGY FACTOR (UEF)
Short	28	26	6PROE28 S2 FD93 SB	3,500 & 4,500	48	16/21	30	7-1/8	22-3/8	22-3/8	19-3/4	97	0.92
Short	28	26	6PROE28 S2 FD93 SB-HO	5500	53	25	30	7-1/8	22-3/8	22-3/8	19-3/4	97	0.94
Short	38	35	6PROE38 S2 FD93 SB-LO	3500	42	16	31-1/2	6-7/8	23-1/4	24-3/8	23	128	0.93
Short	38	35	6PROE38 S2 FD93 SB	4,500, 5,500 & 6,000	59	21/25/28	31-1/2	6-7/8	23-1/4	24-3/8	23	128	0.94

Uniform Energy Factor and rated gallon capacity based on Department of Energy (DOE) requirements.

Insulation blanket required to meet UEF Value. Water heater dimensions prior to installing insulation blanket that is included with water heater. The blanket adds 2-1/2 inches to tank height and 4 inches to tank diameter.

* All models equipped with heat traps.

$$\text{Recovery} = \frac{\text{wattage}}{2.42 \times \text{temp. rise } ^\circ\text{F.}}$$

Example: $\frac{3500\text{W}}{2.42 \times 90^\circ} = 16 \text{ GPH}$

$$\text{Recovery} = \frac{\text{wattage}}{2.42 \times \text{temp. rise } ^\circ\text{F.}}$$

Example: $\frac{4500\text{W}}{2.42 \times 90^\circ} = 21 \text{ GPH}$

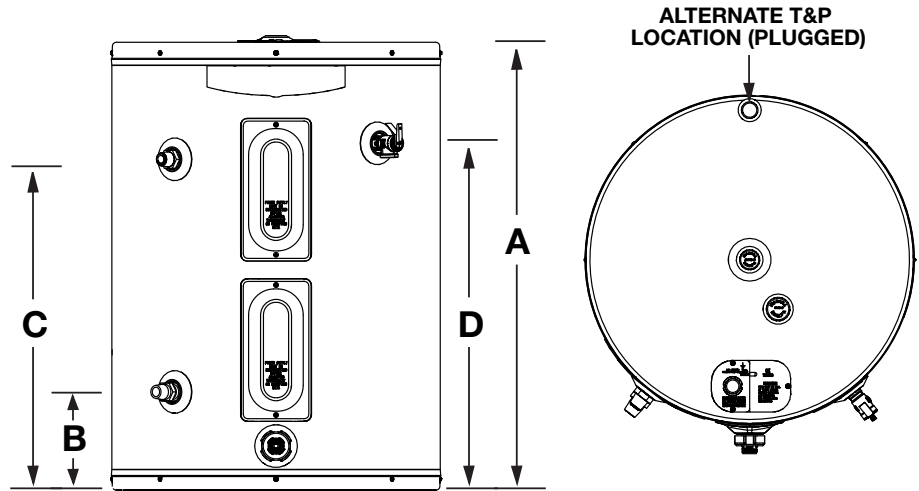
$$\text{Recovery} = \frac{\text{wattage}}{2.42 \times \text{temp. rise } ^\circ\text{F.}}$$

Example: $\frac{5500\text{W}}{2.42 \times 90^\circ} = 25 \text{ GPH}$

$$\text{Recovery} = \frac{\text{wattage}}{2.42 \times \text{temp. rise } ^\circ\text{F.}}$$

Example: $\frac{6000\text{W}}{2.42 \times 90^\circ} = 28 \text{ GPH}$

*Recovery calculations used are based on elements used in non-simultaneous operation



In keeping with its policy of continuous progress and product improvement, Friedrich reserves the right to make changes without notice.

Friedrich Water Heating • 1115 Northmeadow Parkway, Suite 100
Roswell, Georgia 30076 • www.friedrich.com