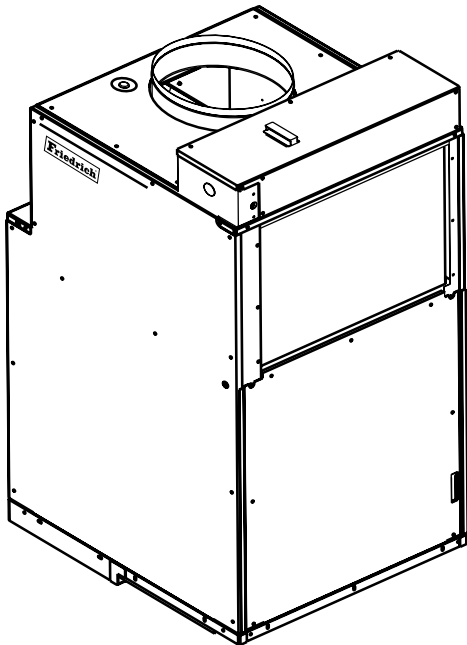


**Friedrich®**

# Parts Manual



**Vert-I-Pak®**

---

**Single Package Vertical Air Conditioning System**

**A Series / 24,000 BTU/h**

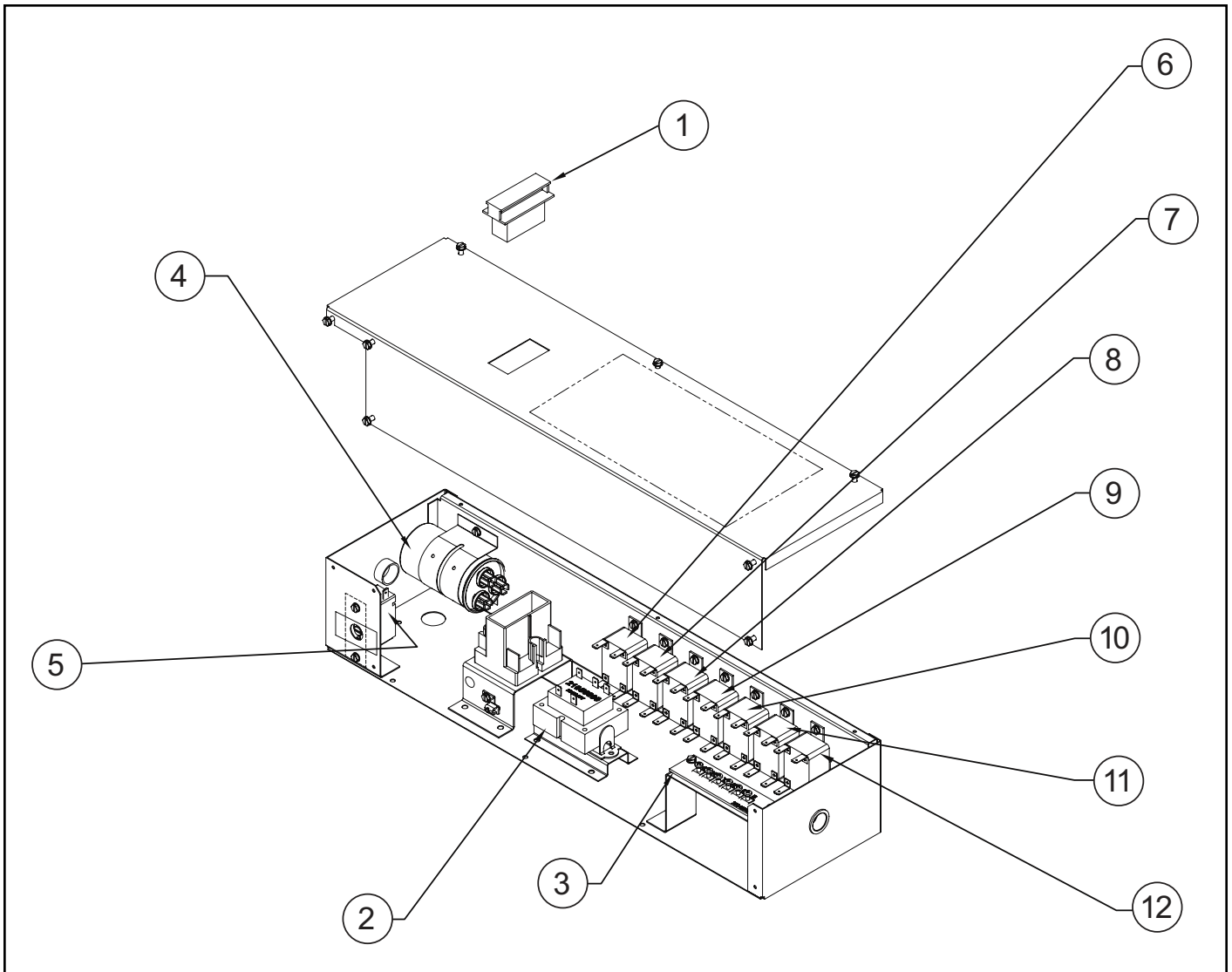
# Table of Contents

Model Number Identification Guide .....	2
Control Box Diagram and Parts List .....	3
Refrigeration Diagram .....	4
Refrigeration Parts List .....	5
Blower Assembly Diagram .....	6
Blower Assembly Parts List .....	7

## VERT-I-PAK Model Number Identification Guide

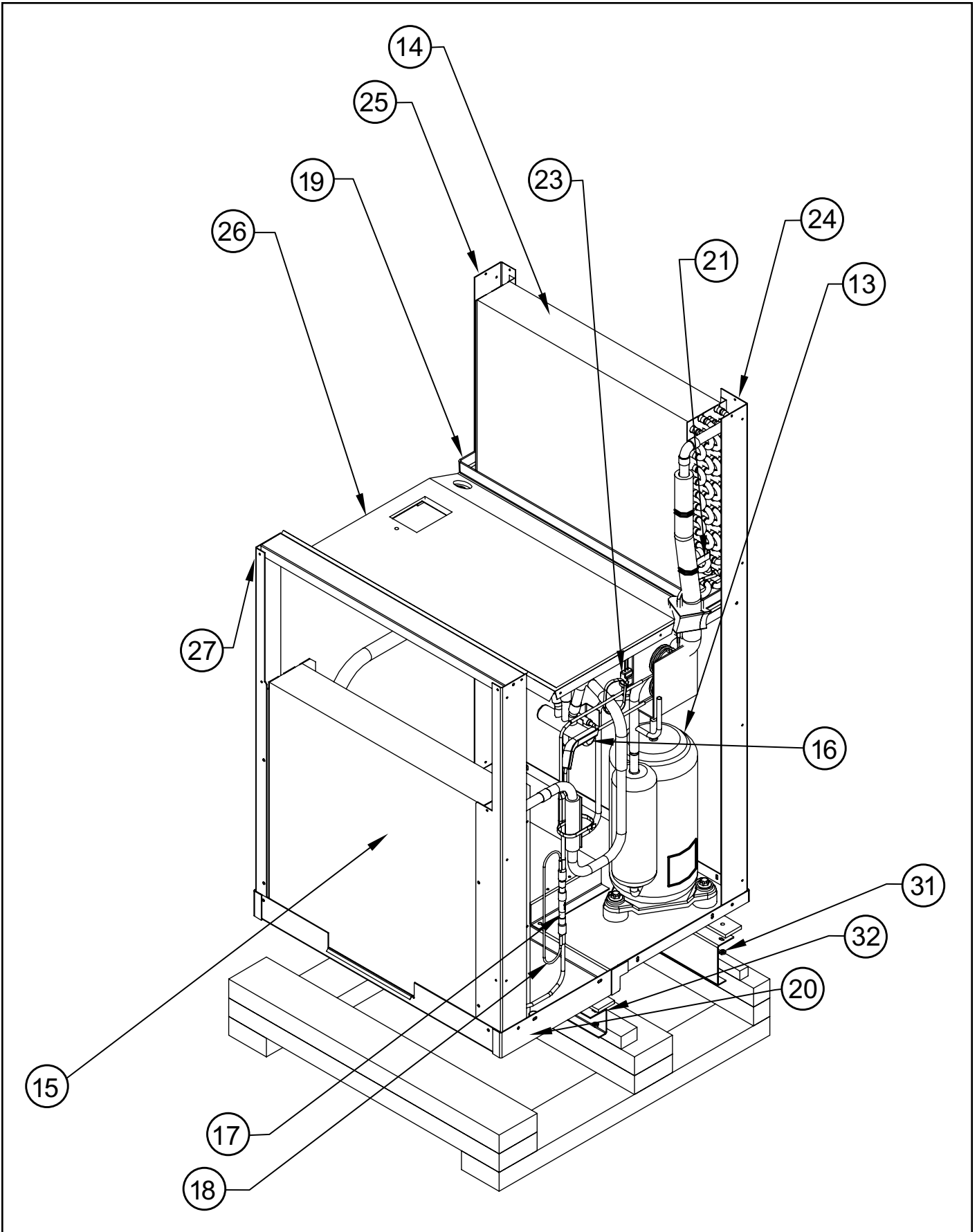
<b>MODEL NUMBER -----&gt;</b>	V	E	A	O9	K	50	RT	G	-3	<i>compr. Code</i>
<b>SERIES</b>									<b>Minor Rev. CODE</b>	
V = VERT-I-PAK									<b>OPTIONS</b>	
E = Cooling with or without electric heat H = Heat Pump										
<b>DESIGN SERIES</b>									RT = Rem. T-stat SP = Rem. T-stat, Seacoast coil	
<b>NOMINAL CAPACITY</b>										
09 = 9000 BTUH      12 = 12,000 BTUH									<b>NOMINAL HEATER SIZE</b>	
18 = 18000 BTUH    24 = 24000 BTUH										
<b>VOLTAGE</b>									(@ 230V or 265V )	
K = 208/230V - 1PH - 60Hz										
									00 = no elect. heat    34 = 3.4KW    25 = 2.5KW	
									50 = 5KW      75 = 7.5KW    10 = 10KW	

# Control Box Assembly



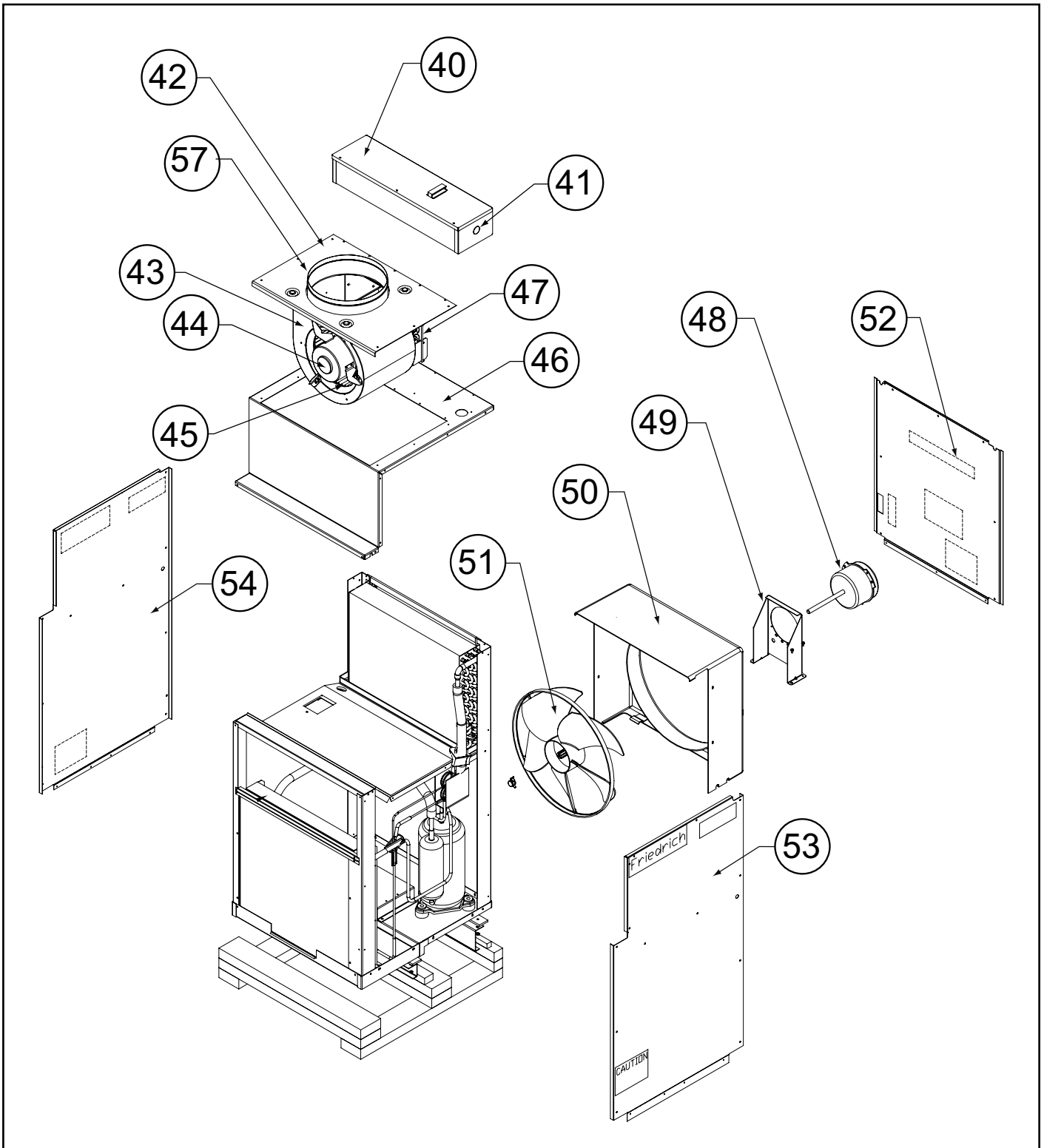
KEY	PART NO.	COMPONENT	E	H	NOTES
1	80007600	Non Fused Disconnect	1	1	
2	21056899	Transformer 208/230V Prim. 24V Sec.	1	1	
3	25043201	Terminal Board	1	1	
4	61080529	Capacitor 40/7.5 MFD @ 400 V	1	1	
5	80110601	Defrost Thermostat (Heat Pump Only)	-	1	
6	60084033	Compressor Relay	1	1	
7	60084033	Fan Relay	1	1	
8	60084033	Reversing Valve Relay	-	1	
9	60084033	Heat Relay 2.5/3.4/5.0 KW	1	1	
10	60084033	Heat Relay 2.5/3.4/5.0 KW	1	1	
11	60084033	Heat Relay 7.5/10 KW	1	1	
12	60084033	Heat Relay 7.5/10 KW	1	1	

# Refrigeration



KEY	PART NO.	COMPONENT	E	H	NOTES
13	25024925	Compressor Assembly	1	1	
14	80103400	Indoor Coil	1	1	
15	80103400	Outdoor Coil	1	1	
15	80101201	Outdoor Coil Sea Coast	1	1	
16	25018701	Reversing Valve	-	1	
NS	25063600	Reversing Valve Coil 230 V	-	1	
17	80109300	Check Valve Assembly	-	1	
18	80105400	Cap tube	1	-	
19	80100300	Drain Pan	1	1	
20	80100503	Base Pan	1	1	
21	21059023	Low Ambient Control (Suction Line Thermostat)	1	1	
22	60179903	Condensate Valve	1	1	
23	80112700	High Pressure Switch	1	1	
24	80101600	Right Post Upper	1	1	
25	80108200	Left Post Upper	1	1	
26	80106200	Inner Wall	1	1	
27	80101300	Lower Left Post	1	1	
NS	80101400	Lower Right Post	1	1	
29	61834801	Strainer	1	1	
NS	80108500	Drain Pan Tube	1	1	
31	80113500	Bracket Base Long	1	1	
32	80113501	Bracket Base Med	1	1	
NS	80113600	Bracket Base Short	1	1	

# Blower Assembly



KEY	PART NO.	COMPONENT	E	H	NOTES
40	80103300	Control Box Cover	1	1	
41	80102000	Control Box	1	1	
42	80113200	Top Cover	1	1	
43	80103200	Blower wheel and housing (Not Separate)	1	1	
44	80106900	Blower Motor	1	1	
45	80103600	Blower Bracket	2	2	
46	80106701	Insulated Top Assembly	1	1	
47	80102200	Heater Assembly 2.5 KW	1	1	2.5 KW Models
47	80102201	Heater Assembly 3.4 KW	1	1	3.4 KW Models
47	80102202	Heater Assembly 5.0 KW	1	1	5.0 KW Models
47	80102203	Heater Assembly 7.5 KW	1	1	7.5 KW Models
47	80102204	Heater Assembly 10.0 KW	1	1	10.0 KW Models
48	80102100	Condenser Fan Motor	1	1	
49	25014400	Motor Mount	1	1	
50	80114100	Fan Shroud	1	1	
51	60542007	16" Plastic Fan Blade	1	1	
52	80106600	Back Panel Insulated	1	1	
53	80106400	Right Side Panel	1	1	
54	80106500	Left Side Panel	1	1	
NS	80102600	Heater Bracket	1	1	
NS	80113300	Heater Support	1	1	
57	80001800	Collar	1	1	
NS	20709185	Blower Cap Bracket	1	1	
NS	01336910	Blower Spacer	4	4	
NS	61080543	Blower Capacitor 15/5/ MFD @ 370 V	1	1	

**Use Factory Certified Parts.**

**Friedrich®**

**FRIEDRICH AIR CONDITIONING CO.**

Post Office Box 1540 · San Antonio, Texas 78295-1540

4200 N. Pan Am Expressway · San Antonio, Texas 78218-5212

(210) 357-4400 · Fax (210) 357-4480

[www.friedrich.com](http://www.friedrich.com)

Printed in the U.S.A.

VPAK2T (2-04)